

Recommendations for Installation in Residential and Other Light-Frame Construction

Fiber Glass Loose Fill Insulation

NAIMA
NORTH AMERICAN INSULATION
MANUFACTURERS ASSOCIATION



Contents

Introduction	1	Sidewall Installation Guidelines	6
Installation – General	1	Preparation	6
Consumer Information	1	Special Attention	6
FTC Home Insulation Rule	1	Application	7
Package Labeling	2	Blowing	7
Planning the Crew Operation	2	Machine Pressure	7
Clothing and Equipment	2	Houses Without Sheathing	7
The Foreman’s Responsibilities	3	Opening Procedures For Sidewalls	7
Ceiling Installation Guidelines	3	Clapboards	8
Preparation	3	Novelty Siding-Horizontal	9
Special Attention	4	Shiplap	9
Installation	4	Tongue-and-Groove	9
Application	4	Vertical Siding Over Sheathing	10
Unfloored Attics	4	Wood Siding Shingles	10
Floored Attics	5	Brick Veneer	11
Attic Knee Walls and Slopes	5	Alternate Suggestions For Sidewalls	12
Attic Stairways	6	Residing	12
		Interior Application	12
		What NAIMA Tells Homeowners	12
		Material Specifications	13
		Thermal Recommendations	13



Introduction

Loose fill insulation is a viable alternative to batts and rolls in difficult access areas such as truss attics or closed wall cavities (retrofit). It is also widely used in conventional attics as a matter of builder or homeowner preference.

The installation process for loose fill insulation is more complex than for batts or rolls because a blowing machine is required for installing loose fill. This dictates that workers be carefully trained to install loose fill products in strict accordance with manufacturer coverage charts.

Installation – General

Blown fiber glass insulation generally can be installed in all ceiling and sidewall areas as well as in other exposed areas such as over-hanging floors.

Loose fill is properly specified by R-value, not inches of thickness. The “R” stands for resistance to the flow of heat and is a measure of how effective the installed insulation will be.

The higher the R-value the greater the insulating power. Ask your seller for the fact sheet on R-values.

It is important that the R-value being considered is the value for the total amount of insulation used. R-value per inch can be misleading because the amount and the thickness required may vary with products of different manufacturers.

In order to achieve the specified R-value, loose fill must be installed so that at least the minimum thickness and weight per square foot are achieved. The only practical way to do that is to be sure to install at least the minimum number of bags per 1000 square feet as specified on the label coverage chart. ASTM Standard Specification C 764 requires a coverage chart, a sample of which follows. On an actual label, the coverage chart will show numbers representing specifications for the particular manufacturer’s product. Refer to the label specification on a bag that you use.

cASTM C 764 Coverage Chart

R value at 75°F mean temp	Maximum net coverage		Minimum thickness	Minimum weight per sq. ft.
To obtain an insulation resistance (R) of:	Minimum Bags per 1000 sq. ft.	Maximum sq. ft. coverage per bag	Installed insulation should not be less than:	The weight per sq. ft. of installed insulation should be not less than:
Attic:				
R-38	...bags /MSF	...sq.ft.	...inches thick	...lbs/sq. ft.
R-30	...bags /MSF	...sq.ft.	...inches thick	...lbs/sq. ft.
R-22	...bags /MSF	...sq.ft.	...inches thick	...lbs/sq. ft.
R-19	...bags /MSF	...sq.ft.	...inches thick	...lbs/sq. ft.
R-11	...bags /MSF	...sq.ft.	...inches thick	...lbs/sq. ft.
Sidewalls *				
R	...bags/MSF	...sq. ft.	...inches thick	...lbs/sq. ft.

* *Optional information for products intended for sidewall application.*

The number of bags per 1,000 sq. ft. is based upon net area, which is the total area minus the area covered by framing members and other obstructions, while job size is usually figured as total (or gross) area. Because the net area will always be smaller than the gross, the number of bags per 1,000 sq. ft. of gross area may be reduced slightly, generally 3 to 8 percent, from the number on the label. Manufacturers may provide correction factors or tables to make this adjustment. However, the bag label makes no allowance for the additional material that might be needed where blowing is difficult, such as under flooring or at obstructions where the insulation may pack.

Consumer Information

FTC Home Insulation Rule

The United States Federal Trade Commission’s Labeling and Advertising of Home Insulation Rule requires installers to provide each customer (builder or consumer) with a signed and dated contract or receipt for the insulation installed. The receipt for loose-fill must show the type of insulation, coverage area, thickness, R-value and number of bags installed. The manufacturer must also provide a manufacturer’s fact sheet. The fact sheet for loose-fill insulation must contain, in addition to the manufacturer’s name, address and type of insulation, a chart containing the R-value

and coverage information contained in the sample table above. Installers must have this information and show it to customers before they agree to buy the insulation.

A new-home seller must put the following information in every sales contract: the type, thickness, and R-value of the insulation that will be installed in each part of the house.

Package Labeling

All loose-fill fiber glass insulation is packaged in polyethylene bags. Whether pre-printed on the insulation bag or included on the package label, each package should contain the following information:

- Name, address and phone number of the manufacturer.
- Type and category of insulation.
- Net weight of insulation per bag.
- The manufacturer's recommended application instructions, including complete coverage charts.
- Listing of testing criteria and compliance standards which are applicable to fiber glass loose-fill insulation.
- Certification form that states the following: This insulation has been installed in conformance with the above recommendations to provide a value of R-____ using ____ bags to cover ____ square feet of area.¹
- Place for builder's signature, company name and date.¹
- Place for applicator's signature, company name and date.¹
- Where material is intended for open or closed blowing application, the bag shall have a separate coverage chart for each type of application.

¹ These requirements may be satisfied by a separate attic card containing the same information

Planning the Crew Operation

A well-trained crew is essential, both to ensure that the insulation is installed correctly and to meet time and cost objectives.

Every crew should have a lead person responsible for the job. The size of a crew will vary, depending upon the type of blowing equipment and the particular job. A minimum of two people is recommended, even on ceiling jobs done with automatic machines. Where both ceilings and sidewalls are to be insulated, it may be advisable to use as many as four people, one of whom must be a competent carpenter. A foreman may be provided on jobs where a single crew consists of four or more men or where more than one crew is working on the same job.

Clothing and Equipment

Clothing

When installing loose fill insulations you must:

- Wear a long sleeved shirt loose at the neck and wrists, long pants, gloves and cap.
- Wear eye protection (safety goggles, safety glasses or a face shield or a combination of these, as appropriate).
- Use a NIOSH/MSHA approved disposable dust respirator, such as a 3M model #8710 or #9900 or equivalent. An appropriate training and fit-testing program must be incorporated into a respiratory protection program.

For more detailed information on recommended work practices, contact NAIMA or the product manufacturer.

Equipment

In addition to the usual tools needed to operate equipment and prepare the installation site, carry an extension light with long cord, extra bulbs, a step ladder and a flashlight for use in dark attics and closed-in areas.

The Foreman's Responsibilities

A foreman should be thoroughly familiar with all phases of the work for all jobs. His responsibilities are:

- To locate all areas which require insulation.
- To locate any work areas that cannot be insulated or should be carefully avoided (i.e. recessed lighting fixtures, stud cavities containing heating, ventilation and air conditioning ducts).
- To see that the insulation is properly applied to meet manufacturer's recommendations and in accordance with local codes and ordinances.
- To make sure that all openings and other changes to the building are returned as closely as possible to their original appearance.
- To assure that he and his crew perform their work with the least possible annoyance to the home owner.
- To make a thorough survey of the job before starting any work and note any pre-existing damage to the property. To notify owner of damaged areas prior to installing insulation in those areas.
- To request permission to enter the house and check the condition of interior walls and to suggest removal of dishes on shelves, mirrors, and pictures which might be dislodged during the application process.
- To make sure all openings from the attic to the living space, or from sidewalls into living space, are covered and sealed.
- To see that the other members of the crew conduct themselves in a workmanlike manner while the job is in progress. The conversation of the crew members should not disturb the occupants of the house. Under no circumstances should the crew argue about how a job should be performed.
- To obtain changes in the work orders in writing and have them signed by both the home owner and foreman.

- To supervise the careful cleaning of buildings and grounds at job completion. It is generally an excellent idea for the the foreman to offer the home owner the opportunity of seeing those parts of the completed insulation job which are accessible.
- To have the home owner or builder sign the contract or receipt which states that the job has been satisfactorily completed.
- Frequently the foreman will be given leads to other prospective insulation purchasers. Although it is not his specific responsibility, a good foreman never misses the opportunity to get his company's name to an interested prospect or to turn the prospect's name over to his boss.

Ceiling Installation Guidelines

Preparation

Scheduling

Since the attic area is generally the most accessible part of the house, most crews will start there. For practical scheduling, the attic should always be saved for inclement weather.

Lighting

Be sure there is sufficient light by which to work. Every crew should carry a long extension cord with extra bulbs to use whenever the attic is not sufficiently lighted. The hoseman should also have a flashlight.

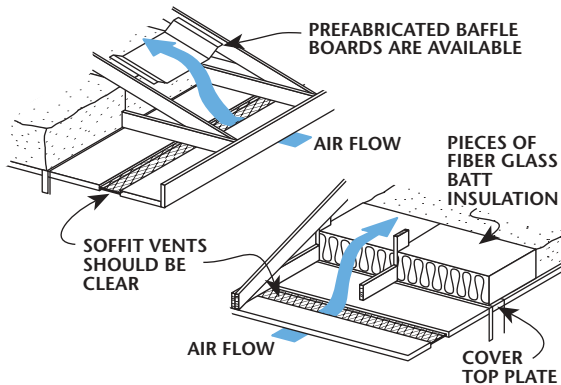
Clear Attic Area

Before starting to insulate in the attic, anything which might interfere with the movement of the hoseman or the proper application of the insulation should be removed or placed in an area where it will give the least amount of trouble. Items stored in the attic should be protected as much as possible. Clothes and other items which could be affected by the insulation must be removed from the attic.

Special Attention

- Be sure that eave vents are not blocked. Ways to shield these openings are shown in Figure 1.

Figure 1



- Small openings should be hand packed with fiber glass insulation.
- Cavities, drops, and scuttles should be covered with insulation or their sides and bottoms should be insulated. Drops can be floored with gypsum board or other suitable material so that insulation can be properly applied.
- Recessed lighting fixtures and fan motors protruding into the ceiling must not be covered with insulation and insulation should be held three inches away from their sides, in accordance with recommendations of the National Electric Code. The purpose is to prevent overheating of fixtures. Prior to installation, these areas can be isolated or blocked by using pieces of fiber glass batts (3 inches away) or prefabricated barriers. (This warning does not apply to Type IC fixtures or fluorescent fixtures with thermally protected ballasts.)
- It may be necessary to install batts over suspended acoustical ceilings and other similar “special” areas.

Installation

When installing loose fill insulation it is recommended:

- To achieve the desired R-value, you must install at least the number of bags required by the label

to at least the minimum thickness required by the bag label. To ensure the minimum insulation thickness, the International Energy Conservation Code (IECC) requires that rulers be attached in each 300 sq. ft. area of the attic to use as gauges during installation.

- Make sure the machine is set in accordance with instructions on the bag. (Settings may vary depending on the machine condition, climatic factors and application techniques.) The machine settings were developed by manufacturers using machines in good working order and application techniques considered to be acceptable in normal field operation. It may be necessary to make some adjustments to these initial settings to fine tune the performance of the equipment.
- When blowing, keep the hose level, and install with a minimum of hand deflection. Always blow with, not across, the joists.
- Section the attic into quarters and make sure one-quarter of the specified number of bags is used in each section to achieve the desired R-value.

Application

Unfloored Attics

- Keep the hose parallel to the floor, with the insulation falling 10 to 12 feet in front. Where possible, back away from work to prevent packing.
- Where work space is tight, prevent the insulation from packing by allowing it to blow off your hand.
- Blow three or four joist spaces from one position by moving the hose to the right or the left. Always blow in the direction of joists, not across them.
- Keep the hose close to the floor where insulation must go underneath obstructions such as cross-bracing and wiring. Insulation must be blown on both sides of this kind of obstruction.

- Where an obstruction may cause a low spot to occur, move around, check this spot and, if necessary, fill in the low area.
- Be sure that insulation is installed on both sides of obstructions such as solid cross-bracing and masonry chimneys.
- If a batt or baffle is not used to block off the ends of joists, be sure that insulation is applied all the way to the outer edge of the plate.
- When roof construction does not allow full depth to the ends of the joists, bounce the insulation off the underside of the roof to increase density in that area. Care should be taken not to block the eave vents. (See Figure 1.)
- To prevent overheating of recessed light fixtures, do not insulate on top of or within three inches of such devices. To be in accordance with the current National Electric Code, provide a way of holding the insulation away by making a shield of noncombustible material. For local requirements, contact your local building department. (This warning does not apply to Type IC fixtures or fluorescent fixtures with thermally protected ballasts.)
- Use only unfaced fiber glass insulation between wood framing and masonry chimneys. Do not place insulation in air spaces surrounding metal chimneys or fireplaces.
- Clearances around fossil fuel appliances should meet the requirements of the National Fire Protection Association (NFPA) or appliance manufacturer's recommendations.
- Water pipes run in the attic area must be given protection since the attic temperature during cold weather will now be very close to that of the outdoors. The severity of the winters and the location of the pipes will determine what is required to prevent freezing.
- After the attic is blown, even out any high or low spots.
- Do not remove the hose from the attic until the foreman has inspected and determined that no areas have been accidentally missed and that the correct number of bags has been installed.
- Install a piece of batt insulation on top of areas where loose fill has not been applied, such as access panels, stair wells, and fan covers. The completed job should provide a continuous layer of insulation over the entire ceiling area.

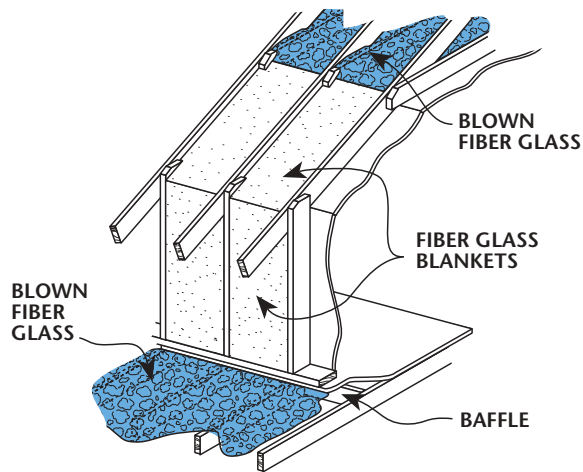
Floored Attics

- Many attic areas contain some floored areas, which present no real problem. It is not advisable to attempt to blow more than 4 to 6 feet under flooring, so floor boards should be removed approximately every 8 to 12 feet.
- Some flooring is difficult to remove because of its nailing pattern. When that is the case, take care during removal to prevent damage to the ceiling surface below.
- Since it is difficult to see bracing underneath the flooring, take particular care to ensure that the flow of insulation under the floor is not being blocked. When there is a large amount of bracing or wiring under the floor, it may be necessary to take off several boards in a small area.
- Insert the hose approximately 4 to 6 feet under the floor and gradually pull it out as the space fills with insulation. Twist and turn the hose as it is removed in order to ensure complete coverage of the area under the floor.

Attic Knee Walls and Slopes

- Some houses contain finished attics. This type of construction can have both knee walls and flat and sloped ceilings. Although it is possible to use retainers and blow knee walls, it is easier to use batts. (See Figure 2.)

Figure 2



Attic Stairways, Scuttles and Pull-Down Stairs

- Many older homes have attic stairways. A ceiling insulation job is not complete until the stairway is insulated, including the soffit area, the walls, and the door.
- Many times the soffit area can be filled with insulation by either removing the treads or drilling holes and filling with insulation. Close holes by means of plugs. Plugs can be finished and restained or painted as necessary.
- Stairway walls can be insulated in the same manner as any other wall. Finish the openings as required to match the existing stairway finish.
- An alternate to insulating the entire stairway assembly is to install a trap door, operated by a counter-balance, over the top of the stairway and insulate it with batt insulation.
- Scuttles and pull-down stairs should be insulated. Insulation can be attached directly to the scuttle hatch. Insulated boxes are available for insulated pull-down stairs.

Sidewall Installation Guidelines

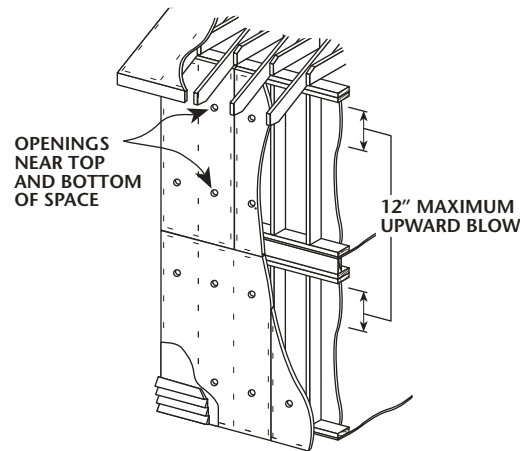
Preparation

A crew that has not previously blown sidewalls of existing houses should study general framing

principles in houses under construction. By studying a wall section before the interior finish is put up, a person has a much better idea of how such things as firestops, junction boxes, electrical cables and bracing will affect the job.

Regardless of the outside finish, all sidewalls are insulated in a similar manner. Some of the outside finish is removed and openings are made in the sheathing so that fiber glass can be blown into the empty stud spaces. (See Figure 3.)

Figure 3



Special Attention

- The “double blow” method, with two openings, is commonly used for sidewalls. Some stud sections may require three or more openings because of construction features. Openings should be made into the stud area for each 4-to-5 foot height. This is essential to ensure that the stud space is completely full. Never try to blow more than 4 feet down or 12 inches up. Blowing through a single opening in an 8-foot wall could leave some of the stud space with no insulation.
- Many homes have eaves which are below the level of the wall plate. Frequently, access to stud spaces can be gained by removing the eave panels.
- Plumb bob all stud cavities to determine the depth that can be filled through that opening. A plumb bob should be of sufficient size to

readily reveal obstructions which could stop the flow of insulation.

Areas above and below windows and below firestops and bracing must be opened to determine exact location of obstructions and assure that the cavity is completely filled.

- When removing the nozzle be sure to fill the space which it had occupied.
- Some installers use the insert tube method, which consists of cutting one hole either at mid-height or near the top of each stud cavity. Insulation is blown into each cavity through a tube inserted to the bottom of the cavity and slowly withdrawn as the cavity is filled. The procedure is then repeated with the tube inserted in an upward direction.

Application

After the sidewall has been properly opened, fiber glass is blown into all cavities. A swivel sidewall nozzle should be used in blowing sidewalls, unless holes are large enough for the applicator to control the direction of flow.

Blowing

Different applicators have different methods of filling sidewalls, but it is generally recommended that the lower holes be filled first to insure that the lower parts of stud cavities are filled.

Machine Pressure

The amount of pressure at which a machine should operate will vary with the job.

The blowing machine should be equipped with a properly operating pop-off valve so that when the wall section is filled, pressure will bleed off at the machine rather than into the sidewall section, eliminating the danger of blowing out the inside wall surface. Considerably less pressure should be used on a sidewall in which the inner surface is a drywall construction than on one in which the inner surface is lath and plaster. As the

insulation is being blown into the sidewall, continually move the blowing nozzle from one side to the other so that the entire stud area will be filled.

The experienced operator will be able to judge the approximate length of time it will take to fill any opening. If an opening is filled too quickly, it probably indicates that the insulation has hung up on some type of obstruction. When this occurs, it may be possible, by swiveling the nozzle from side to side, to break the jam. A plumb bob dropped from above may also work. In some cases it will be necessary to make another opening below the stoppage. The applicator should remember that any sidewall section which is not properly insulated will be very evident as a cold spot on the inside wall.

Houses Without Sheathing

On some houses, siding is nailed directly to the faces of the studs without any sheathing. With this type of construction, removal of the siding will result in an opening into the stud area which is too large for proper use of the sidewall nozzle. In such cases, use a length of lumber approximately 24 inches long and the appropriate width as a substitute for sheathing, drilling a hole in it for inserting the sidewall nozzle.

Opening Procedures For Sidewalls

The information contained in the following paragraphs covers the procedure for the removal and replacement of different types of sidewall materials. There can be many variations of the procedures shown, and any method which gives sufficient access to the sidewall area can be used.

The opening and closing of sidewalls is the only visible evidence of a reinsulation job, and the care and attention given to it is a direct indication of the contractor's thoroughness and workmanship.

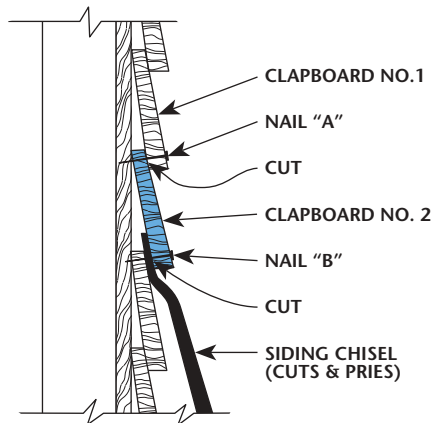
Since the removal and repair of the outside finishes on an existing home largely involve the principles of good carpentry, it is strongly recommended that one of the crew be a proficient carpenter. If one of the crew is not a carpenter, it is suggested that a carpenter be hired to work with and train your people on the first few side-wall jobs. For brick or stone sidewalls it is recommended that an experienced mason be used until your crew is familiar with the procedure for entering these walls.

Clapboards

Removal and Preparation for Blowing

- Tools usually required are back saws, a wide-faced chisel, a curved siding chisel, a claw hammer, a nail set and a nail saw.
- The clapboard to be removed is shown as No. 2 in the drawing, Figure 4.

Figure 4



Removal and preparatory steps are as follows:

- Free the vertical end joints of the clapboard on either side or cut new vertical joints with a back saw if only a portion of the board has to be removed.
- Using a chisel, cut nails (A) through clapboard No. 1 that holds the upper edge of the clapboard (No. 2) to be removed.
- Cut the nails (B) in the lower edge of the clapboard (No. 2) to be removed. (Nails need not be cut if they can be removed when the clapboard is pried from the wall.)

- Pry clapboard (No. 2) from the wall and pull down to remove.
- After the clapboard has been removed, the building paper, usually found between clapboards and sheathing, should not be removed or damaged any more than necessary. Start by cutting the paper along the horizontal edge about 1 inch above the clapboard still in place.
- Make a vertical cut in the paper near each end of the exposed portion, then fold it up and tack to the clapboard above, allowing free access to the sheathing.
- Drill the holes.

Replacement After Blowing

After the wall section has been blown, push the building paper back into place. Make sure all holes are covered with building paper and replace the clapboard in a workmanlike manner, filling any nail holes or splits with putty and touch up. If possible, leave a very slight opening between the replaced clapboard and the ones already on the house in order to permit breathing of the wall.

Note: The Department of Energy, under the Residential Conservation Service Program Installation Practice, states: "Close all entry holes in a workmanlike manner using materials compatible with the original materials. Do not close entry holes in sheathing which is covered by an exterior brick veneer or siding."

Alternates in Removing Clapboards

A nail saw may be used instead of a chisel for cutting nails. Otherwise the procedure is the same.

In isolated cases it may be necessary to set the nails through both clapboards and into the sheathing, using a nail set. This method is not recommended unless absolutely necessary because the bottom of the clapboard may be split and the nail set creates large holes in the clapboard requiring a large amount of puttying that usually shows up badly in the completed job.

Novelty Siding-Horizontal

Novelty siding (regardless of its exterior appearance) usually has one common characteristic – the boards are joined together by some form of shiplap or tongue-and-groove joint. In this type of work, there is no opportunity to pry the boards loose. Therefore, the following steps are practically the only methods by which the work should be handled.

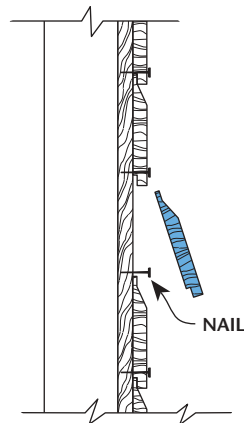
Tools required are a claw hammer, a wood chisel, a broad curved-blade knife with a striking plate on the back side of the blade, and a nail set. The procedures are outlined below.

Shiplap

Removal and Preparation for Blowing

- Set the nails directly through the siding.
- After setting the nails, the procedure is practically the same as that for clapboards. The chisel is inserted under the lower edge of the board to be removed and pried outward (Figure 5). As the illustration of the shiplap joint shows in Figure 5 there is nothing to prevent the removal of the board.
- Preparations for blowing (treatment of sheathing, etc., and drilling) are the same as for clapboards.

Figure 5



Replacement After Blowing

The procedure is the same as that described for clapboards.

Tongue-and-Groove

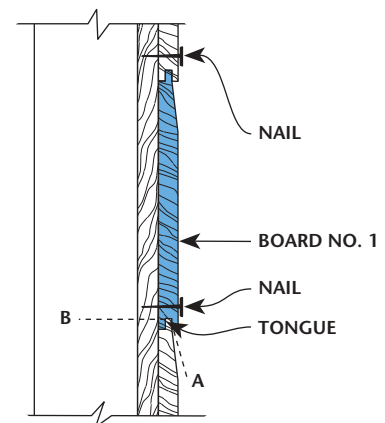
With tongue-and-groove work a slightly different procedure is necessary as the boards cannot be pried out without breaking either the tongue or one of the edges. Two methods are in use at present. Both can be recommended, although where the boards are very tightly fitted Method No. 1 is likely to split off the outer edge of the board.

Method No. 1

Removal and Preparation for Blowing

- Set all nails directly through to the sheathing.
- At the lower edge of the board to be removed, insert an electrician's chisel and pry out and down at the point "A" as shown in Figure 6. This will usually cause the board to split off at the rear along the line "B", leaving the tongue of the board below intact.
- By proper manipulation, board No.1 will come away from the groove in the board above and can be removed.
- Preparations for blowing (treatment of sheathing, etc., and hole cutting) are the same as for clapboards.

Figure 6



Replacement After Blowing

Set the edge of the tongue into the groove of the upper board and tap the board along the edges until the tongue is started in the groove along the entire length. When the the tongue

has entered the groove far enough so that bottom edges are level, the bottom edge can be knocked straight in and the board is now ready for face nailing. Finishing nails are used in the same manner as for clapboards.

Method No. 2

Removal and Preparation for Blowing

Where the boards are set in tightly and there is danger that the board cannot be freed at the top tongue, the following alternate method is suggested:

- Set the nails through the board.
- Use a broad-bladed knife about 12" long, with a slight curvature to the blade face and a welded striking plate on the blade. The knife blade is inserted in the groove at both top and bottom of the board to be removed and driven in, in order to cut off the tongue. After the tongues are completely cut away from the board, top and bottom, the board can be easily removed. If the board is toe-nailed at the top edge through the groove instead of straight-nailed, the procedure is the same except that slightly more prying is required.
- Preparations for blowing (treatment of sheathing, etc., and hole cutting) are the same as for clapboards.

Replacement After Blowing

Cover the sheathing, behind the top and bottom edges of the board, with mastic the full length of the board.

Finishing nails are used in the same manner as for clapboards.

Vertical Siding Over Horizontal Sheathing

The method of removing and replacing vertical siding over horizontal sheathing is the same as for horizontal siding. Boring and blowing behind the sheathing are carried out as set forth in "Sidewall Insulation Guidelines."

Wood Siding Shingles

The following methods apply only to the handling of wood shingles on sidewalls.

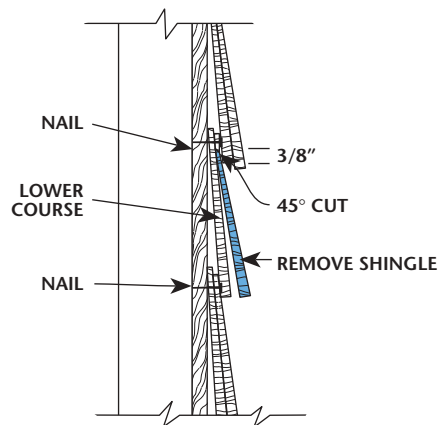
Method No. 1

Removal and Preparation for Blowing

Where this method is to be considered, the owner should be informed of the procedure and permission secured before beginning. Otherwise, the shingles should be pulled as in Method No. 2.

- Using a sharp utility knife (wallboard knife or chisel) cut upward at a 45° angle as far as possible under the butt end of the shingle course above. Make a series of shallow cuts through the shingle to be removed.
- Cut the paint seal at the sides of the shingle and remove the shingle.
- Drill through the lower course of shingles to the stud cavity.
- Blowing: See "Sidewall Insulation Guidelines."

Figure 7



Replacement After Blowing

- Tack pieces of asphalt paper over all holes.
- Daub the back of the shingle to be replaced along the cut edge with mastic and drive it solidly up against the section of the shingle still in place.
- Face-nail the shingle with 4d or 6d galvanized finishing nails or light gauge aluminum nails. Use a minimum number of nails to fasten the thin upper edge of the shingle to reduce the possibility of splitting.
- Touch up edges and other necessary spots with paint.

Method No. 2

Removal and Preparation for Blowing

If the owner should object to cutting the shingles as in Method No. 1, the following procedure, consisting of pulling shingles, can be used. Essential tools are shingle or slatter rippers and nail saw.

- With knife, free edges of shingle by cutting the paint seal.
- Pry up the course above the shingle to be removed. Then pry up the shingle to be removed.
- Running the ripper or saw above the shingles to be removed, cut the nails holding the course above to this shingle.
- Inserting the ripper or saw under the shingle to be removed, cut or pull the nails holding this shingle.
- Holding the shingle by the butt, work the shingle loose and pull out.
- Cut holes through the lower course of shingle and through the sheathing.

Replacement After Blowing

- Steps preliminary to the replacement of the shingle are the same as for Method No. 1.
- Replace the shingle removed and drive it upwards until the edge of the butt lines up with the rest of the course. Use a block of wood against the butt end in order to save the shingle edge.
- Face-nail the shingle with 4d or 6d galvanized aluminum nails. Use a minimum number of nails to fasten the thin upper edge of the shingle to reduce the possibility of splitting.
- Touch up edges and other necessary spots with paint.

Brick Veneer

Brick veneer construction consists of a 4-inch brick wall attached to sheathing which is nailed to studs.

Where access to the stud cavity is not possible by removal of trim, it will be necessary to remove individual bricks to achieve the recommended openings at the top and bottom of the stud cavities.

It is of utmost importance that the number of openings be minimized. Thus, it is desirable to remove bricks that straddle the studding, as this permits access to two stud cavities through one opening.

Where it is necessary to remove two or three bricks, the combination may be two bricks beside each other or two beside each other and one above or below. When blowing only one cavity, the removal of a single brick per opening will usually suffice.

When installing loose fill insulation into brick veneer walls, a 2" nozzle rather than a 2-1/2" will make the job easier. When doing brick walls, strongly consider the use of an experienced mason if your crews are not experienced in this type of construction.

Brick Removal

There are two methods of removing brick. Whenever possible the first method should be used.

- Removal of the brick itself by removing the mortar around it.
- Actually breaking the brick out in pieces.

To remove the brick in its entirety, it is necessary to remove the mortar around it. This can be done by drilling four holes (one at each corner of the brick) and chiseling out the mortar between them. Power chisels make this a relatively easy operation on some jobs. Another method of removing the mortar joint is by the use of a power saw with a special cement-cutting blade.

Replacement of Brick

After the panels are filled, the brick should be carefully replaced, matching the old mortar as closely as possible. Mortar may be given an aged appearance with the aid of a blow torch or may be colored to match or blend.

Alternate Suggestions For Opening Sidewalls

Residing

If the exterior of the house is to be resided, openings may be made as necessary through the existing (old) exterior finish.

Interior Application

If rooms are to be redecorated by the homeowner, it is easier, less expensive and therefore often desirable to insulate sidewalls from the interior.

Openings can be concealed at the time of redecoration. With drywall construction, save the plugs for reuse when patching the wall.

Interior application should be investigated, particularly where the exterior finish is stone, brick, or stucco.

What NAIMA Tells Homeowners

In publications distributed to homeowners, NAIMA advises them on selecting a contractor and dealing with him and his application crews. Here's an excerpt from the booklet "How to Save Money by Insulating Your Home."

If you prefer to hire an insulation contractor, you can find one by:

- Asking your utility company for suggestions.
- Consulting friends and neighbors.
- Looking in the phone book "Yellow Pages" under "Insulation Contractors-Cold & Heat" or a similar heading. Remember that a contractor has the special skills needed to insulate sidewalls as well as to do an expert job of insulating ceilings and floors.

The next step is to call in two or three contractors to quote your job. You should

judge a contractor's reliability as well as his price. Here are some suggestions:

- Check a contractor with the local Better Business Bureau (also listed in the phone book). Or ask your bank to get a report on his credit rating.
- Ask a contractor for references, including other homeowners for whom he has done work. Check them out.
- Give all the contractors exactly the same description of what you want done. For example, say, "I want to add R-19 to my attic floor," then stay with that specification and that way of saying it. Don't be satisfied if a contractor says, "Okay, I'll add 6 inches."

Not all brands of insulation have the same R-value per inch. Six inches of one brand might not have the same R-value as 6 inches of another. Stick with R-values. If a contractor won't deal with you in R-value language don't you deal with him.

- If a contractor is going to blow insulation in your attic, how can you tell if you're getting the R-value you've requested? First of all, make sure the written contract states R-value, the minimum thickness and the number of bags of insulation to be used to achieve the R-value. In addition, you can check the bag label yourself.
- Ask a contractor how he pays his installers, by the number of square feet they install or by the hour. If he pays them by square footage, they might do a hasty job on your house just so they can get on to the next one.
- Ask a contractor about the insurance he carries. Does he have insurance to protect his own men if they are injured? Are you covered if one of his men damages your house?

Material Specifications

Assurance of insulation material quality is extremely important to the safety and effectiveness of installed insulation. NAIMA recommends the use of mineral fiber loose fill that meets the requirements of the current edition of ASTM C 764 Standard Specification for Mineral Fiber Loose-Fill Thermal Insulation.

Thermal Recommendations

When building a new home, consumers and builders alike should make sure their homes are insulated to save energy and to provide more comfortable living. The International Code Council (ICC) publishes the International Energy Conservation Code (IECC) which recommends specific thermal performance requirements.

The IECC can be ordered from any of the following model code organizations:

Building Officials and Code Administrators International, Inc.

4051 West Flossmoor Road
Country Club Hills, Illinois 60478-5795
(708) 799-2300

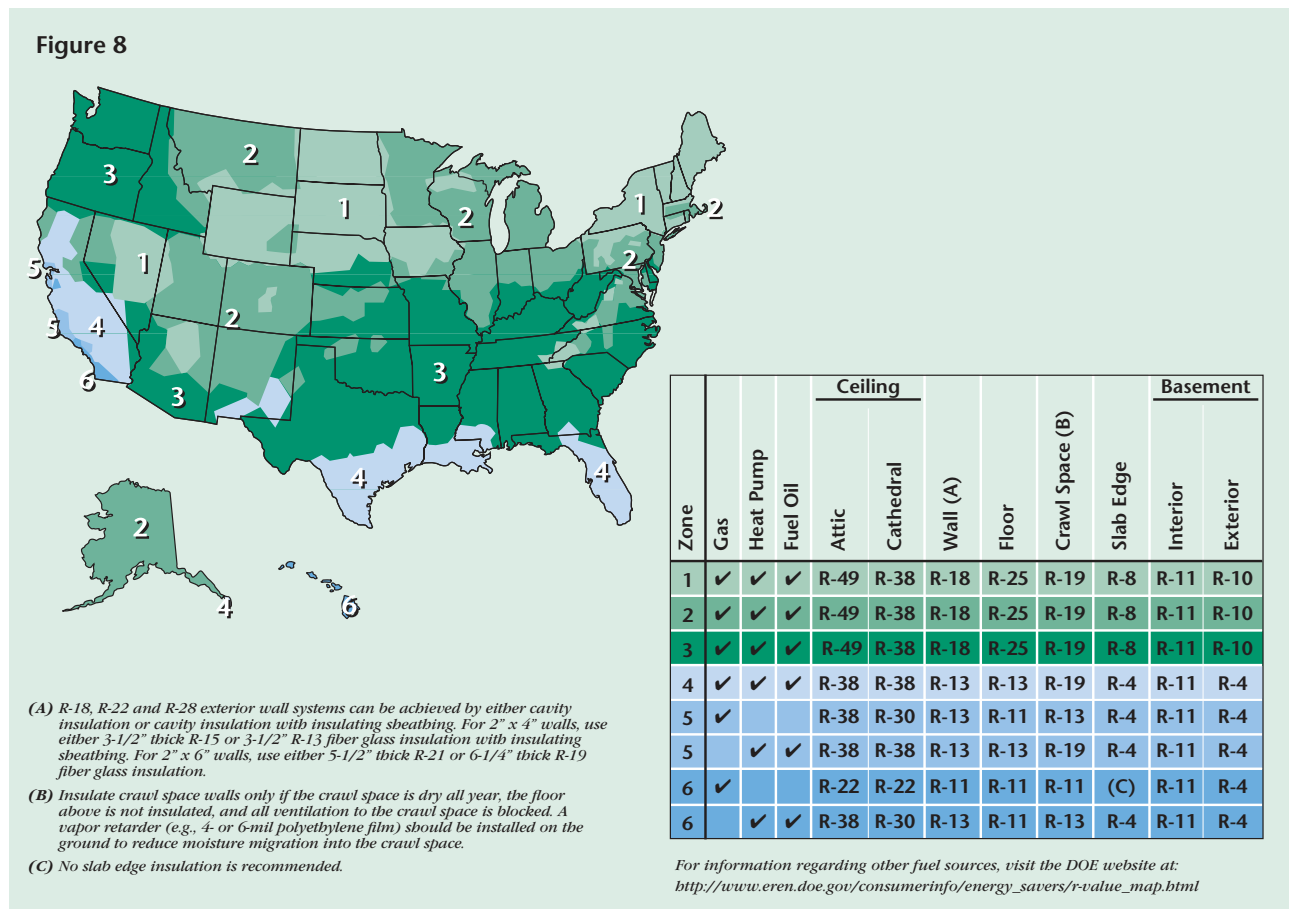
International Conference of Building Officials

5360 Workman Mill Road
Whittier, California 90601-2298
(562) 699-0541

Southern Building Code Congress International, Inc.

900 Montclair Road
Birmingham, Alabama 35213-1206
(205) 591-1853

Figure 8 shows the Department of Energy's (DOE) recommended R-values for one and two family homes. The R-values recommended by DOE exceed those required by most building codes.



NAIMA is the association for North American manufacturers of fiber glass, rock wool, and slag wool insulation products. Its role is to promote energy efficiency and environmental preservation through the use of fiber glass, rock wool, and slag wool insulation, and to encourage the safe production and use of these materials.

In May 1999, NAIMA began implementing a comprehensive voluntary work practice partnership with the U.S. Occupational Safety and Health Administration (OSHA). The program, known as the Health and Safety Partnership Program, or HSPP, promotes the safe handling and use of insulation materials and incorporates education and training for the manufacture, fabrication, installation and removal of fiber glass, rock wool and slag wool insulation products. For more information about the HSPP, contact NAIMA.

NAIMA Building Insulation Committee:

CertainTeed Corp., (800) 523-7844
P.O. Box 860, Valley Forge, PA 19482

Johns Manville Corp., (800) 654-3103
P.O. Box 5108, Denver, CO 80217

Knauf Fiber Glass, (800) 825-4434
One Knauf Drive, Shelbyville, IN 46176

Owens Corning, (800) GET-PINK
One Owens Corning Parkway, Toledo, OH 43659

For additional information contact:

NAIMA
44 Canal Center Plaza
Suite 310
Alexandria, Virginia 22314
Tel: 703/684-0084
Fax: 703/684-0427
E-mail: insulation@naima.org
Website: <http://www.naima.org>